

SUNWARD

ATTACHMENTS CATALOG





HAMMERS



GRAPPLES



AUGERS



QUICK COUPLERS



POWER TILT



TILT ROTATORS

Attachments list

Part No.	Name	Applicable Tonnage/ Suitable Models
750629000134	Rotate Grapple SUNWARD	SWE60UF
750629000135	Rotate Grapple SUNWARD	SWE90UF
750708010206	Rotate Grapple SUNWARD	SWE155F
739900000674	Hammer SUNWARD	SWE08B
739900000795	Hammer SUNWARD	SWE18/20F
739900000675	Hammer SUNWARD	SWE25UF
739900000676	Hammer SUNWARD	SWE35UF
739900000677	Hammer SUNWARD	SWE60UF
739900000656	Hammer SUNWARD	SWE90UF
739900000659	Hammer SUNWARD	SWE155F
739900000662	Hammer SUNWARD	SWE215F
750629000116	Auger SUNWARD	SWE60UF
750629000117	Auger SUNWARD	SWE90UF
750629000114	Auger SUNWARD	SWE25UF
750629000115	Auger SUNWARD	SWE35UF
750708010186H	SW530/150 SUNWARD	SWE17F/18UF/20F
750708010204H	SW540/200 SUNWARD	SWE25F/25UF
750708010175H	SW540/200 SUNWARD	SWE35F
750708010185H	SW540/200 WIDE SUNWARD	SWE60F
750708010203H	SW550/270 SUNWARD	SWE90F
750708010219H	SW560/340 SUNWARD	SWE155F
750708010220H	SW570/450 SUNWARD	SWE215F
LW2000000020	QC-Mechanical-K WHITES	SWE20F
LW2500000020	QC-Mechanical-K WHITES	SWE25UF
LW3500000012	QC-Mechanical-K WHITES	SWE35UF
LW6000000040	QC-Mechanical-K WHITES	SWE60UF
LW9000000020	QC-Mechanical-K WHITES	SWE90UF
LW0800000020	QC-Mechanical-K WHITES	SWE08B
LW2000000030	QC-Hydraulic-K WHITES	SWE20F
LW2500000010	QC-Hydraulic-K WHITES	SWE25UF
LW9000000010	QC-Hydraulic-K WHITES	SWE90UF
LW1550000010	QC-Hydraulic-K WHITES	SWE155F
LW2150000010	QC-Hydraulic-K WHITES	SWE215F
LW6000000010	QC-Hydraulic-K WHITES	SWE60UF
LW3500000010	QC-Hydraulic-K WHITES	SWE35UF
STE20F0011	Quick Coupler S30/180 FPH STEELWRIST	SWE20F
STE25UF0011	Quick Coupler S40 FPH STEELWRIST	SWE25UF
STE35UF0011	Quick Coupler S40 FPH STEELWRIST	SWE35UF
STE215F0011	Quick coupler S70 FPL STEELWRIST	SWE215F
STE155F0011	Quick coupler S60 FPL STEELWRIST	SWE155F
STE90UF0011	Quick coupler S50 FPL STEELWRIST	SWE90UF
STE60UF0011	Quick Coupler S40 FPH STEELWRIST	SWE60UF

Part No.	Name	Applicable Tonnage/ Suitable Models
LW2500000030	Tilting with QC WHITES	SWE25UF
LW3500000030	Tilting with QC WHITES	SWE35UF
LW6000000030	Tilting with QC WHITES	SWE60UF
LW9000000030	Tilting with QC WHITES	SWE90UF
LW1550000030	Tilting with QC WHITES	SWE155F
LW2150000030	Tilting with QC WHITES	SWE215F
STETR25UF10	Tiltrotator X04 DF S40 FPH CLS-25UF(with installation) STEELWRIST	SWE25UF
STETR25UF20	Tiltrotator DirectFit S40FPH CLS-25(UF)(with gripper and installation) STEELWRIST	SWE25UF
STETR25UF30	Tiltrotator S40 FPH (with installation) STEELWRIST	SWE25UF
STETR25UF40	Tiltrotator X04 S40 S40 FPH CLS-25UF(with gripper and installation) STEELWRIST	SWE25UF
STETR35UF10	Tiltrotator X04 DF S40 FPH CLS-25UF(with installation) STEELWRIST	SWE35UF
STETR35UF20	Tiltrotator DirectFit S40FPH-(with gripper and installation) STEELWRIST	SWE35UF
STETR35UF30	Tiltrotator S40 FPH (with installation) STEELWRIST	SWE35UF
STETR35UF40	Tiltrotator X04 S40 S40 FPH CLS-35UF(with gripper and installation) STEELWRIST	SWE35UF
STETR60UF10	Tiltrotator X07 DF S40 FPH CLS-60UF(with installation) STEELWRIST	SWE60UF
STETR60UF20	Tiltrotator X07 DF S40 FPH CLS-60UF(with gripper and installation) STEELWRIST	SWE60UF
STETR60UF30	Tiltrotator X07 S40 S40 FPH CLS-60UF(with installation) STEELWRIST	SWE60UF
STETR60UF40	Tiltrotator X07 S40 S40 FPH CLS-60UF(with gripper and installation) STEELWRIST	SWE60UF
STETR90UF10	Tiltrotator X12 DF S50 FPL CLS-90UF(with installation) STEELWRIST	SWE90UF
STETR90UF20	Tiltrotator X12 DF S50 FPL CLS-90UF(with gripper and installation) STEELWRIST	SWE90UF
STETR90UF30	Tiltrotator X12 S50 S50 FPL CLS-90UF(with installation) STEELWRIST	SWE90UF
STETR90UF40	Tiltrotator X12 S50 S50 FPL CLS-90UF(with gripper and installation) STEELWRIST	SWE90UF
STETR155F10	Tiltrotator X18 DF S60 FPL CLS HF3-155F(with installation) STEELWRIST	SWE155F
STETR155F20	Tiltrotator X18 DF S60 FPL CLS HF3-155F(with gripper and installation) STEELWRIST	SWE155F
STETR155F30	Tiltrotator X18 S60 S60 FPL CLS HF3-155F(with installation) STEELWRIST	SWE155F
STETR155F40	Tiltrotator X18 S60 S60 FPL CLS HF3-155F(with gripper and installation) STEELWRIST	SWE155F
STETR215F30	Tiltrotator X26 S70 S70 FPL CLS HF3-215F(with installation) STEELWRIST	SWE215F
STETR215F40	Tiltrotator X26 S70 S70 FPL CLS HF3-215F(with gripper and installation) STEELWRIST	SWE215F

- **Applications**

1. Mine: mining, secondary breaking, grizzly breaking
2. Railway: mountain excavation, break road and bridge, roadbed compaction
3. Metallurgy: slag cleaning, furnace dismantling
4. Construction: building demolition, foundation compaction
5. Highway: Pavement crushing, foundation excavation, roadbed compaction
6. Other: break ice and soil, sand vibrating, hull cleaning



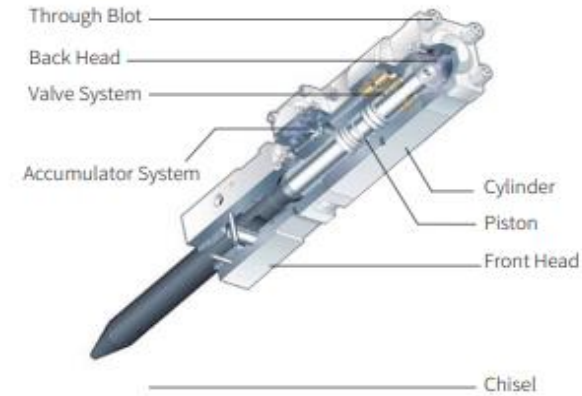
- **Features and Benefits**

1. Top installation
2. Replaceable quick connector and better universality
3. Long overall length and far breaking distance
4. All-round seal structure and low noise
5. Full-closed box design protects the main body from damage

• Specifications



Item		Net Weight	Diameter of drill rod	Working pressure	Flow capacity	Strike frequency	Pressure in nitrogen chamber	Adaptive Sunward Excavator
Code	Specs	kg	mm	kg/cm ²	U/min	bpm	kg/cm ²	Machine model
739900000674	SWBG040H	115	40	90-120	15-25	800-1400	15-16.5	SWE08B
739900000795	SWBG045H-1	145	45	90-120	20-30	700-1200	15-16.5	SWE17F/18UF/20F
739900000675	SWBG045H	145	45	90-120	20-30	700-1200	15-16.5	SWE25UF/25F
739900000676	SWBG053H	172	53	90-120	25-50	600-1100	15-16.5	SWE35UF
739900000677	SWBG068H	339	68	110-140	40-70	500-900	15-16.5	SWE60UF
739900000656	SWBH085H	640	85	130-160	60-100	400-800	15-16.5	SWE90UF
739900000659	SWBH100H	842	100	150-170	80-110	350-700	15-16.5	SWE155F
739900000662	SWBH135H	1520	135	150-170	120-160	350-500	16.5-18	SWE215F



● Valve

Built in the valve housing to control piston movement

● Piston

The power making parts of the breaker

● Back Head

Nitrogen storage room

● Cylinder

The core of the breaker and the working device of the breaker

● Front Head

The chisel's support device

● Chisel

The breaking parts

● Moil Point

Moil point goes through quickly. Used for breaking oversize objects and concrete.

● Flat Wedge

Used for special breaking work, during which accurate breaking is not required.

● Blunt

Used for most demolition work.

The head shape and length of the chisel can be customized according to customer's needs. The head bshape can be moil point, flat wedge and blunt.

- **Applications**

It is universal tool used in the industries such as iron and steel plants, smelters, ports, dock and steel recycling for grappling scrap, waste, trash, loose debris and other objects.



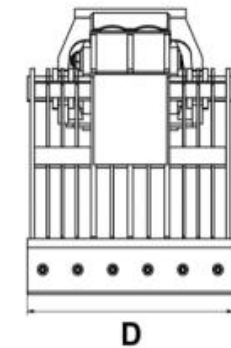
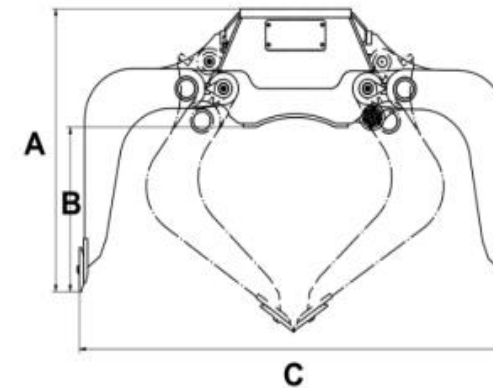
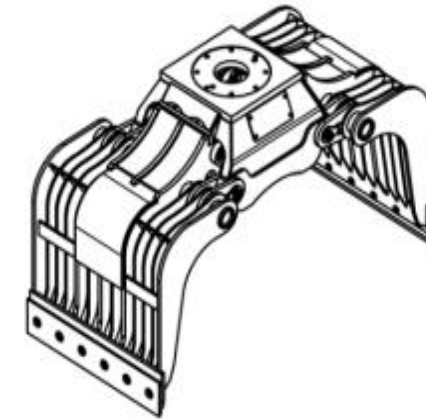
- **Features and Benefits**

1. Bolt-on top plate: Replaceable with local quick connect
2. 1 year warranty against manufacturing defects
3. One cylinder for opening/closing
4. Good quality blades
5. Mounting Systems Available: direct Pin-on or fits to old type Sunward QC (not S-system) and Whites QC
6. Pin and Bushing Grease Points

- Specifications

Suitable models	/	SWE60UF	SWE90UF	SWE155F
Grapple type	/	DG60MQ	DG100MQ	DG150MQ
Part Number	/	750629000134	750629000135	750708010206
Weight	kg	500	600	890
Closing height	mm	1490	1576	1600
Closing width	mm	1100	1182	1247
Opening height	mm	1350	1450	1530
Opening width	mm	1450	1709	1780
Maximum opening	mm	1400	1460	1720
Rotation flow	L/min	35-50	35-50	35-50
Rotary pressure	Bar	110-130	110-130	110-130
Open/Close flow	L/min	80-160	80-160	80-160
Open/Close pressure	Bar	180-260	180-260	180-260
Adapt to excavator	Ton	6-11	10-12	9-16

Sorting version



- **Applications**

It is a mechanical earth drill assembled in an excavator driven by hydraulic energy. Its applications include landscaping, planting, civil engineering, foundation pile driving, wire rod hole, installation of solar energy and wind turbine, drilling of various columns, etc.



- **Features and Benefits**

1. All hood pins are locked for extra safety making it impossible for the hood to detach from your hitch
2. Unique planetary gearbox allows the motors output torque to be multiplied with extreme efficiency as well as ensuring the durability and reliability you need
3. Non-Dislodgement Shaft guarantees that the shaft will never fall out, making for a safer work environment, not only for the operator but also any surrounding workers
4. High quality hydraulic motors
5. High quality hoses and adaptors

- Specifications

Suitable models	/	SWE25UF	SWE35UF	SWE60UF	SWE90UF
Part Number	/	750629000114	750629000115	750629000116	750629000117
Drilling motor	/	3000MAX	3000MAX	5500MAX	8000MAX
Torque Range	Nm	959-2877	959-2877	1685-5477	2717-8152
Speed Range	rpm	36-100	36-100	30-87	33-70
Work flow	L/min	27-75	27-75	40-115	70-150
Working Pressure	Bar	80-240	80-240	80-260	80-240
STANDARD drill bit	/	S4-300MM, 250MM, 200MM, 150MM	S4-300MM, 250MM, 200MM, 150MM	S4-300MM, 250MM, 200MM, 150MM	S5-600MM
Adapter	/	S4 DOUBLE PIN CRADLE	S4 DOUBLE PIN CRADLE	S5 DOUBLE PIN CRADLE	S5 DOUBLE PIN CRADLE
Weight	kg	151	151	243	330
Adapt to excavator	Ton	2-4	2-4	4.5-6	6-8



_____ Cradle Hitch (Double Pin)

_____ Drilling Motor

_____ Drill bit

ADDITIONAL OPTIONS:

S4 EXTENSIONS

S5 EXTENSIONS



- SUNWARD HYDRAULIC S-SYSTEM QUICK COUPLER**



- Features and Benefits**

1. Enables the fast locking and unlocking of the attachments tools considerably reducing the time for their replacement
2. Safe, user-friendly and harmonizes with international standards
3. Harmonizes with most dipper arm dimensions for relevant size intervals.
4. Used in the digging direction and bucket opening direction
5. Within the S-Standard strives for maximum surface area in the front shaft where most of the digging forces are assimilated with a positive torque

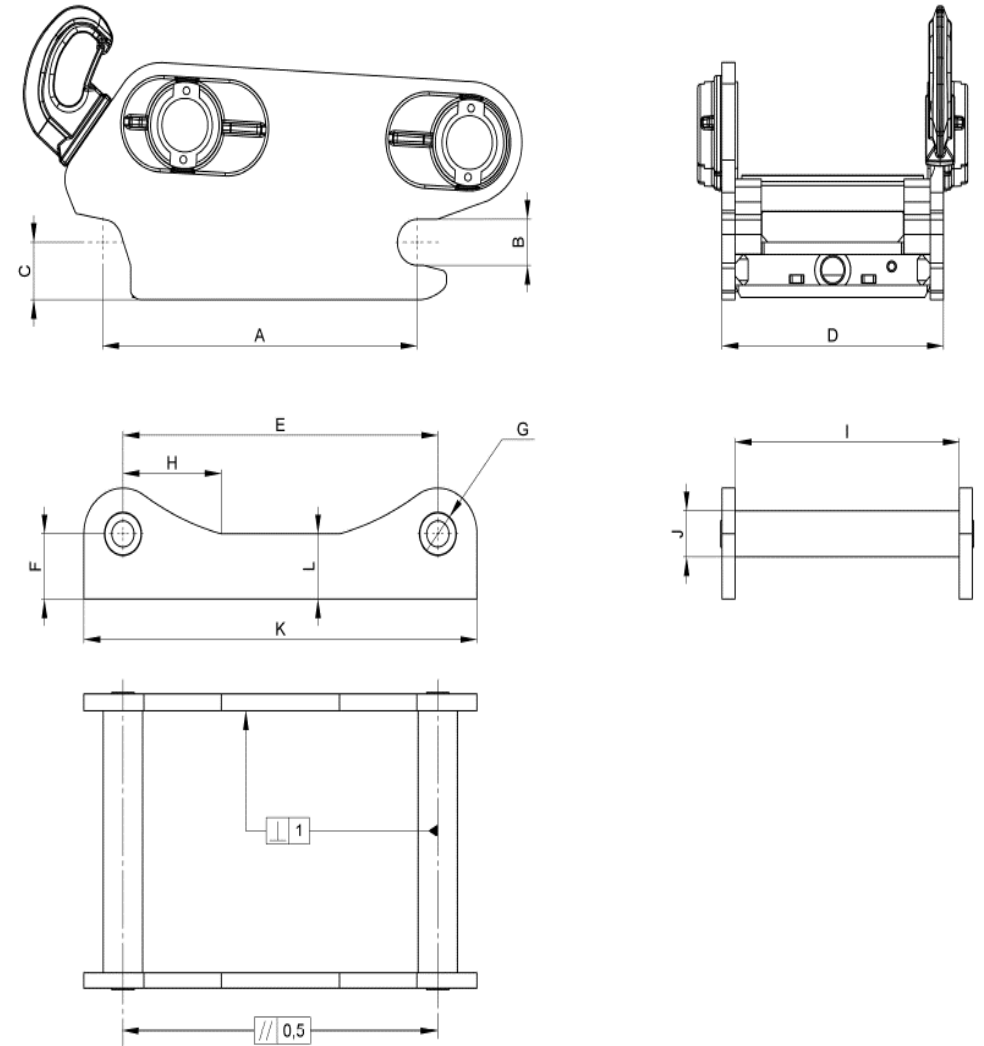
Part No.	Name	Applicable Tonnage/ Suitable Models
750708010186H	SWS30/150	SWE17F/18UF/20F
750708010204H	SWS40/200	SWE25F/25UF
750708010175H	SWS40/200	SWE35F
750708010185H	SWS40/200 WIDE	SWE60F
750708010203H	SWS50/270	SWE90F
750708010219H	SWS60/340	SWE155F
750708010220H	SWS70/450	SWE215F

QUICK COUPLER SUNWARD



- Specifications

Sunward code	Coupler	A (mm)	B (mm)	C (mm)	D (mm)	Machine model
750708010186H	SWS30/150	229.8 ± 0.2	30	Max 36	Max 148 ± 1	SWE17F/18UF/20F
750708010204H	SWS40/200	299.8 ± 0.2	40	Max 50	Max 198 ± 1	SWE25F/25UF
750708010175H	SWS40/200	299.8 ± 0.2	40	Max 50	Max 198 ± 1	SWE35F
750708010185H	SWS40/200 WIDE	299.8 ± 0.2	40	Max 50	Max 198 ± 1	SWE60F
750708010203H	SWS50/270	429.8 ± 0.2	50	Max 65	Max 268 ± 1	SWE90F
750708010219H	SWS60/340	479.8 ± 0.2	60	Max 80	Max 338 ± 1	SWE155F
750708010220H	SWS70/450	599.8 ± 0.2	70	Max 100	Max 448 ± 1	SWE215F



- **MECHANICAL QUICK COUPLER (WHITES)**



Part No.	Name	Applicable Tonnage/ Suitable Models
LW2000000020	QC-Mechnical-K	SWE20F
LW2500000020	QC-Mechnical-K	SWE25UF
LW3500000012	QC-Mechnical-K	SWE35UF
LW6000000040	QC-Mechnical-K	SWE60UF
LW9000000020	QC-Mechnical-K	SWE90UF
LW0800000020	QC-Mechnical-K	SWE08B

- **Features and Benefits**

1. Models for 0.75t – 9.0t machines
2. RAEX high tensile steel base plates
3. Simple sprung release and locking mechanism
4. Integrated lifting eye
5. Fully retained safety pin
6. Powerful oversized locking spring
7. Mix match couplers available
8. Compact design to maximize machine's schematics
9. Compatible in face/reversible mode

- **HYDRAULIC QUICK COUPLER (WHITES)**



Part No.	Name	Applicable Tonnage/ Suitable Models
LW2000000030	QC-Hydraulic-K	SWE20F
LW2500000010	QC-Hydraulic-K	SWE25UF
LW9000000010	QC-Hydraulic-K	SWE90UF
LW1550000010	QC-Hydraulic-K	SWE155F
LW2150000010	QC-Hydraulic-K	SWE215F
LW6000000010	QC-Hydraulic-K	SWE60UF
LW3500000010	QC-Hydraulic-K	SWE35UF

- **Features and Benefits**

1. Variable pin centers for wide range of OEM attachments
2. ISO13031 compliant
3. Zero maintenance required
4. Compact design to maximize machine's schematics
5. RAEX high tensile steel base plates
6. Unique removable cylinder and safety spring guards
7. Integral certified lifting eyes
8. Tailored hydraulic fitting kits available
9. Compatible in face/reverse mode

- **HYDRAULIC QUICK COUPLER FPH (STEELWRIST)**



- **Features and Benefits**

1. The quick coupler is used to connect and disconnect work tools for compact excavators.
2. It follows the symmetrical standard and has hydraulic locking function (automatic).
3. Casted in one piece, has large work tool pin contact surfaces and optimized design, making it lightweight but yet robust which will ensure a long lifetime.
4. Has a fully closed design to reduce any risk of debris entering the locking mechanism.
5. Equipped with safety hooks (Front Pin Hook (FPH)) that secure the work tools front shaft to reduce the risk of dropping the work tool if by mistake it is not connected correctly.
6. Expander pin technology ensures a play free connection to reduce wear and extend the life of your equipment.

Part No.	Name	Applicable Tonnage/ Suitable Models
STE20F0011	Quick Coupler S30/180 FPH	SWE20F
STE25UF0011	Quick Coupler S40 FPH	SWE25UF
STE35UF0011	Quick Coupler S40 FPH	SWE35UF
STE60UF0011	Quick Coupler S40 FPH	SWE60UF

- Specifications

📏 Measurement

Type	S30/180
Building height (inch)	3.23
Weight from (lb)	33
Width (inch)	7
Length (inch)	9
Pin diameter (inch)	1-1.38
Max width dipper arm (inch)	5
Pin distance, cc measure (inch)	3.35-6
Pin distance, cc measure (mm)	85-150

⚙️ Technical specification

Type	S30/180
Recommended machine weight (lb)	0-4400
Lifting hook, option (lb)	0,75
Front Pin Hook	Yes
Body	Casted

📏 Measurement

Type	S40	S40wide
Building height (inch)	3.74	5
Weight from (lb)	66	88
Width (inch)	7.80	10.63
Length (inch)	11.81	11.81
Pin diameter (inch)	1.38-1.77	1.77-2
Max width dipper arm (inch)	6.30	7.87
Pin distance, cc measure (inch)	6.30-10.63	9.25-12.20
Pin distance, cc measure (mm)	160-270	235-310

⚙️ Technical specification

Type	S40	S40wide
Recommended machine weight (lb)	4400-13200	4400-13200
Lifting hook, option (lb)	4400	4400
Front Pin Hook	Yes	Yes
Body	Casted	Casted

- **HYDRAULIC QUICK COUPLER FPL (STEELWRIST)**



- **Features and Benefits**

1. The quick coupler is used to connect and disconnect work tools for compact excavators.
2. It follows the symmetrical standard and has hydraulic locking function (automatic).
3. Casted in one piece, has large work tool pin contact surfaces and optimized design, making it lightweight but robust which will ensure a long lifetime.
4. Has a fully closed design to reduce any risk of debris entering the locking mechanism.
5. Equipped with Front Pin Lock (FPL) you are safe during tool changes regardless of control system, the size and age of your excavator. A simple mechanical solution that protects against the most common risk, i.e. that you by mistake connect the rear pin in the wrong way without noticing it.
6. Expander pin technology ensures a play free connection to reduce wear and extend the life of your equipment.

Part No.	Name	Applicable Tonnage/ Suitable Models
STE215F0011	Quick coupler S70 FPL	SWE215F
STE155F0011	Quick coupler S60 FPL	SWE155F
STE90UF0011	Quick coupler S50 FPL	SWE90UF

- Specifications

Measurement

Building height (inch)	4.72
Weight (lb)	154
Width (inch)	11.42
Length (inch)	17
Shaft diameter dipper (inch)	1.77-2.36
Width dipper arm (inch)	6-9
Pin distance (cc-measure (inch))	8.66-14.37
Pin distance (cc-measure (mm))	220-365

Technical specification

Recommended machine weight (lb)	11000-26400
Lifting hook (lb)	6600
Front Pin Lock	Yes
Body	Casted

Measurement

Type	S70	S70wide
Building height (inch)	7.87	7.87
Weight (lb)	601	572
Width (inch)	17.72	17.72
Length (inch)	23.62	23.62
Shaft diameter dipper (inch)	2.36-3.54	2.76-3.54
Width dipper arm (inch)	12.60-16.22	13.78-17
Pin distance (cc-measure (inch))	15.75-20.47	18.50-22.24
Pin distance (cc-measure (mm))	400-520	470-565

Technical specification

Type	S70	S70wide
Recommended machine weight (lb)	39600-70400	55000-72600
Lifting hook (lb)	17600	17600
Front Pin Lock	Yes	Yes
Body	Casted	Casted

Measurement

Type	S60	S60wide
Building height (inch)	6	6.69
Weight (lb)	264	286
Width (inch)	13.39	13.39
Length (inch)	18.90	18.90
Shaft diameter dipper (inch)	2.36-3.15	2.36-3.15
Width dipper arm (inch)	9.84-12	11.81-13
Pin distance (cc-measure (inch))	13-17.13	15.75-18.11
Pin distance (cc-measure (mm))	330-435	400-460

Technical specification

Type	S60	S60wide
Machine weight (lb)	26400-44000	26400-44000
Lifting hook (lb)	11000	11000
Front Pin Lock	Yes	Yes
Body	Casted	Casted

- **POWER TILT (WHITES)**



Part No.	Name	Applicable Tonnage/ Suitable Models
LW2500000030	Tilting with QC	SWE25UF
LW3500000030	Tilting with QC	SWE35UF
LW6000000030	Tilting with QC	SWE60UF
LW9000000030	Tilting with QC	SWE90UF
LW2150000030	Tilting with QC	SWE215F
LW1550000030	Tilting with QC	SWE155F

- **Features and Benefits**

1. TOTALTILT Hydraulic double locking coupler, is a simple, fast, positive double locking coupler allowing the safe and controlled changeover of attachments from the safety and comfort of the cab with the added versatility of 180' tilt.
2. Variable pin centers for wide range of OEM attachments
3. ISO13031 compliant
4. Zero maintenance required. Strong friction bearing
5. HKS actuator – world renowned quality
6. RAEX high tensile steel base plates
7. Unique removable cylinder and safety spring guard
8. Tailored hydraulic fitting kits
9. Lower maintenance costs due to longer service intervals
10. Greater accessibility thanks to greater tilt angle
11. Compact design – no external cylinders
12. Suitable for a variety of machines and attachments

- TILTROTATOR 2-4 TONNES (STEELWRIST)**



- Features and Benefits**

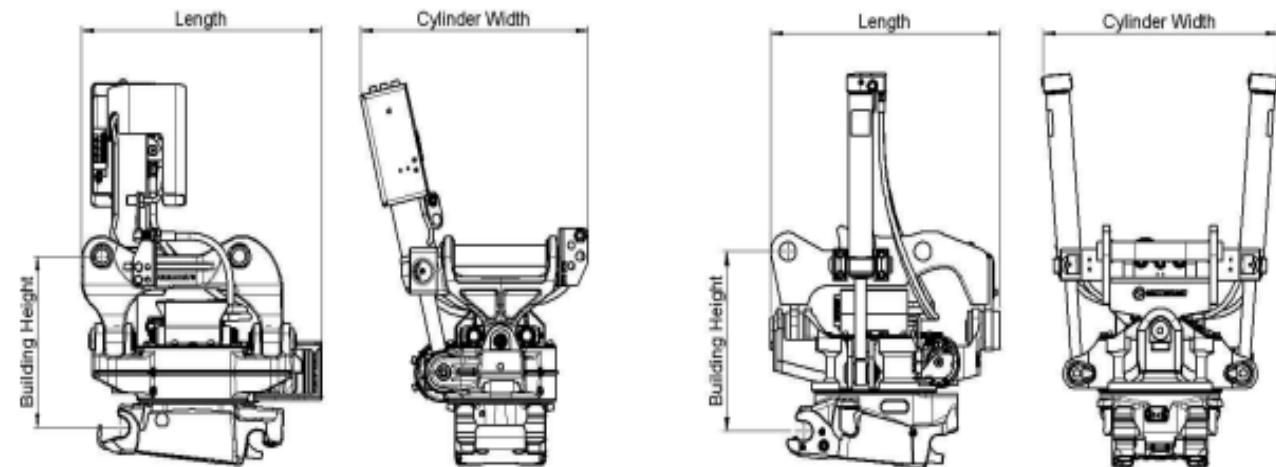
1. With the tilt rotator you increase the ability to reach tight spaces and save time and reduce wear on both machine and surroundings as the need for machine movements at the worksite is minimized.
2. Developed with a focus on flexibility, building height and low weight, that is so important for compact excavators. With a steel cast structure, the weight can be reduced, while strength is maximized.
3. Two types of tilt rotator control systems. Quantum is an advanced control system where ergonomics, easy installation and fuel efficiency, remote support and automatic tool recognition are important parts of the system. The four-hose proportional machine control is the more basic system.
4. Gripper cassette (option) will make your excavator even more flexible, handling objects with precision. The gripper cassette can be retrofitted
5. Central lubrication (option) fits all central lubrication systems on the market.

Part No.	Name	Applicable Tonnage/ Suitable Models
STETR25UF10	Tiltrotator X04 Direct Fit S40 FPH CLS-25(U)F(with installation)	SWE25UF
STETR25UF20	Tiltrotator X04 Direct Fit S40 FPH CLS-25(U)F(with gripper and installation)	SWE25UF
STETR25UF30	Tiltrotator X04 S40 S40 FPH CLS-25(U)F(with installation)	SWE25UF
STETR25UF40	Tiltrotator X04 S40 S40 FPH CLS-25(U)F(with gripper and installation)	SWE25UF
STETR35UF10	Tiltrotator X04 Direct Fit S40 FPH CLS-35UF(with installation)	SWE35UF
STETR35UF20	Tiltrotator DirectFit S40FPH-with gripper (installation)	SWE35UF
STETR35UF30	Tiltrotator S40 FPH (with installation)	SWE35UF
STETR35UF40	Tiltrotator X04 S40 S40 FPH CLS-35UF(with gripper and installation)	SWE35UF

- Specifications

Machine Interface	S40	DF
Tiltrotator Quick Coupler	S40	S40
Machine weight [lb]	4400-8800	4400-8800
Max Breakout torque [kNm]	35	35
Weight from [lb]	264	264
Building height [inch]	13.50	12.76
Length [inch]	20.59	22.44
Cylinder width [inch]	19.65	17.20
Max tilt angle [degrees]	±45	±45
Max width dipper arm [inch]	-	5.59
Pin diameter [inch]	-	1.38-1.38
Pin distance [cc-measure] [inch]	-	5.12-9.45
Pin distance [cc-measure] [mm]	-	130-240
Tilt Torque [kNm]	10,6	10,6
Rotational Torque [kNm]	3,9	3,9
Hydraulic AUX with gripper	1	1
Hydraulic AUX without gripper	1	1
Lifting hook [lb]	-	2200
Oil Flow [gallons/min]	7	7
Max pressure [bar]	210	210
Max Pressure Separate AUX [bar]	-	-
Safety solution	FPH	FPH

- TILTROTATOR 2-4 TONNES (STEELWRIST)



- **TILTROTATOR 5-7 TONNES (STEELWRIST)**



- **Features and Benefits**

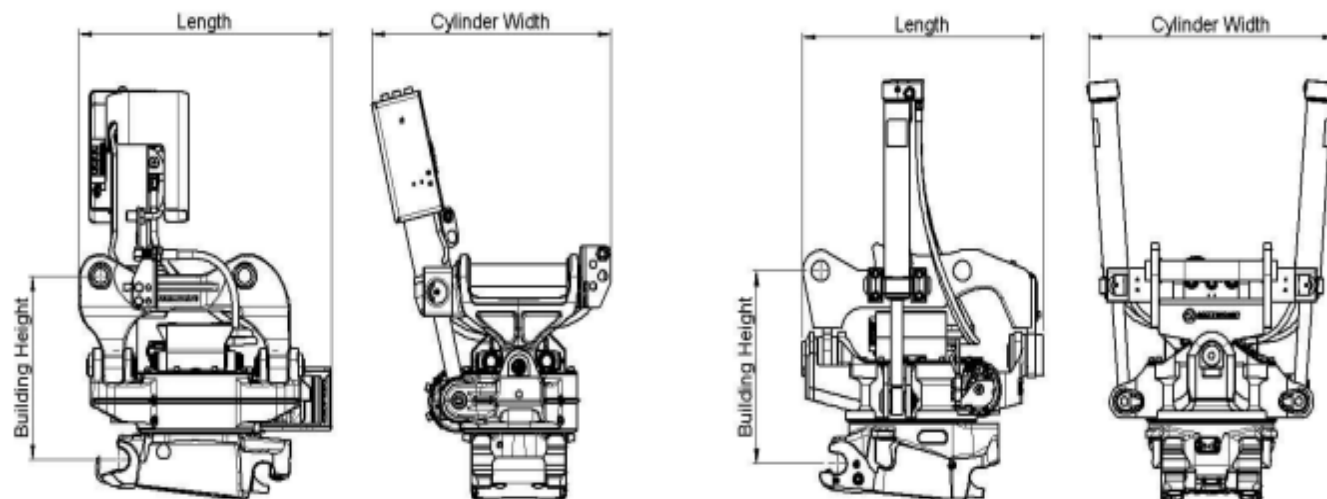
1. With the tilt rotator you increase the ability to reach tight spaces and save time and reduce wear on both machine and surroundings as the need for machine movements at the worksite is minimized.
2. Developed with a focus on flexibility, building height and low weight, that is so important for compact excavators. With a steel cast structure, the weight can be reduced, while strength is maximized.
3. Two types of tilt rotator control systems. Quantum is an advanced control system where ergonomics, easy installation and fuel efficiency, remote support and automatic tool recognition are important parts of the system. The four-hose proportional machine control is the more basic system.
4. Gripper cassette (option) will make your excavator even more flexible, handling objects with precision. The gripper cassette can be retrofitted
5. Central lubrication (option) fits all central lubrication systems on the market.

Part No.	Name	Applicable Tonnage/ Suitable Models
STETR60UF10	Tiltrotator X07 DF S40 FPH CLS-60UF(with installation)	SWE60UF
STETR60UF20	Tiltrotator X07 DF S40 FPH CLS-60UF(with gripper and installation)	SWE60UF
STETR60UF30	Tiltrotator X07 S40 S40 FPH CLS-60UF(with installation)	SWE60UF
STETR60UF40	Tiltrotator X07 S40 S40 FPH CLS-60UF(with gripper and installation)	SWE60UF

- Specifications

- TILTROTATOR 5-7 TONNES (STEELWRIST)

Machine Interface	S40	S45	S50	DF	DF	DF
Tiltrotator Quick Coupler	S40	S45	S50	S40	S45	S50
Machine weight [lb]	11000-15400	11000-15400	11000-15400	11000-15400	11000-15400	11000-15400
Max Breakout torque [kNm]	65	65	65	65	65	65
Weight from [lb]	330	330	330	330	330	330
Building height [inch]	14.57	14.57	14.57	15.75	15.75	15.75
Length [inch]	22.64	22.64	22.64	25	25	25
Cylinder width [inch]	16.42	16.42	16.42	22.60	22.60	22.60
Max tilt angle [degrees]	±45	±45	±45	±45	±45	±45
Max width dipper arm [inch]	-	-	-	9.45	9.45	9.45
Pin diameter [inch]	-	-	-	1.77-2.17	1.77-2.17	1.77-2.17
Pin distance [cc-measure] [inch]	-	-	-	8.66-12.20	8.66-12.20	8.66-12.20
Pin distance [cc-measure] [mm]	-	-	-	220-310	220-310	220-310
Tilt Torque [kNm]	13,8	13,8	13,8	13,8	13,8	13,8
Rotational Torque [kNm]	5,2	5,2	5,2	5,2	5,2	5,2
Hydraulic AUX with gripper	1	1	1	1	1	1
Hydraulic AUX without gripper	1	1	1	1	1	1
Lifting hook [lb]	-	-	-	4400	4400	4400
Oil Flow [gallons/min]	11	11	11	11	11	11
Max pressure [bar]	210	210	210	210	210	210
Max Pressure Separate AUX [bar]	350	350	350	350	350	350
Safety solution	FPH	FPL	FPL	FPH	FPL	FPL



- TILTROTATOR 7-12 TONNES (STEELWRIST)**



- Features and Benefits**

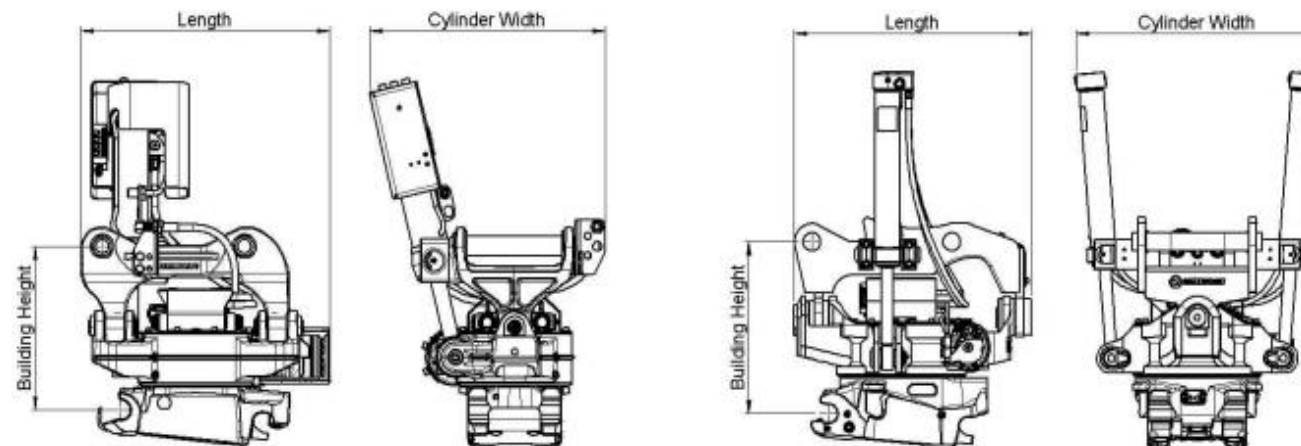
1. Designed to deliver the power and versatility that is a must for mid-sized excavators. Tilt rotators have a low building height, high tilt angle and an unbeatable relationship between strength and weight thanks to steel cast components.
2. Enhances the efficiency of the excavator as it enables you to rotate a work tool 360 degrees and tilt 45 degrees in each direction, with top of the class precision and controllability.
3. Open-S standard connection system
4. Two types of tilt rotator control systems. Quantum is an advanced control system where ergonomics, easy installation and fuel efficiency, remote support and automatic tool recognition are important parts of the system. The four-hose proportional machine control is the more basic system.
5. Gripper cassette (option) will make your excavator even more flexible, handling objects with precision. The gripper cassette can be retrofitted
6. Central lubrication (option) fits all central lubrication systems on the market.

Part No.	Name	Applicable Tonnage/ Suitable Models
STETR90UF10	Tiltrotator X12 DF S50 FPL CLS-90UF(with installation)	SWE90UF
STETR90UF20	Tiltrotator X12 DF S50 FPL CLS-90UF(with gripper and installation)	SWE90UF
STETR90UF30	Tiltrotator X12 S50 S50 FPL CLS-90UF(with installation)	SWE90UF
STETR90UF40	Tiltrotator X12 S50 S50 FPL CLS-90UF(with gripper and installation)	SWE90UF

- Specifications

- TILTROTATOR 7-12 TONNES (STEELWRIST)

Machine Interface	S45	S50	SQ50	DF	DF	DF
Tiltrotator Quick Coupler	S45	S50	SQ50	S45	S50	SQ50
Machine weight [lb]	15400-26400	15400-26400	15400-26400	15400-26400	15400-26400	15400-26400
Max Breakout torque [kNm]	80	80	80	80	80	80
Weight from [lb]	594	594	594	594	594	594
Building height [inch]	16.73	16.73	16.73	19.45	19.45	19.45
Length [inch]	24.57	24.57	24.57	27.13	27.13	27.13
Cylinder width [inch]	28	28	28	28	28	28
Max tilt angle [degrees]	±45	±45	±45	±45	±45	±45
Max width dipper arm [inch]	-	-	-	10.71	10.71	10.71
Pin diameter [inch]	-	-	-	1.57-2.36	1.57-2.36	1.57-2.36
Pin distance [cc-measure] [inch]	-	-	-	9.45-14.37	9.45-14.37	9.45-14.37
Pin distance [cc-measure] [mm]	-	-	-	240-365	240-365	240-365
Tilt Torque [kNm]	29	29	29	29	29	29
Rotational Torque [kNm]	5,4	5,4	5,4	5,4	5,4	5,4
Hydraulic AUX with gripper	1	1	1	1	1	1
Hydraulic AUX without gripper	2	2	2	2	2	2
Lifting hook [lb]	-	-	-	6600	6600	6600
Oil Flow [gallons/min]	22	22	22	22	22	22
Max pressure [bar]	210	210	210	210	210	210
Max Pressure Separate AUX [bar]	350	350	350	350	350	350
Safety solution	FPL	FPL	FPL	FPL	FPL	FPL



- TILTROTATOR 12-16 TONNES (STEELWRIST)**



- Features and Benefits**

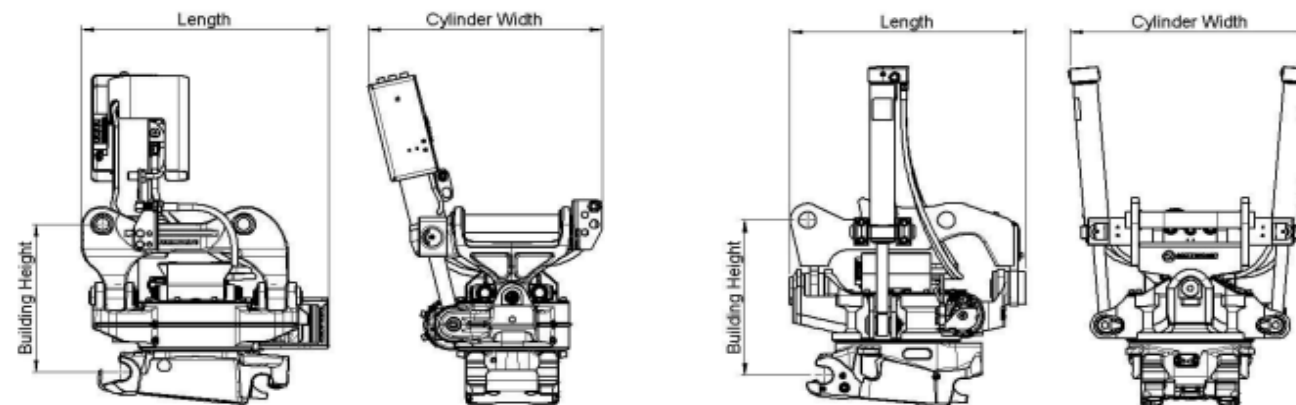
1. Designed to deliver the power and versatility that is a must for mid-sized excavators. Tilt rotators have a low building height, high tilt angle and an unbeatable relationship between strength and weight thanks to steel cast components.
2. Enhances the efficiency of the excavator as it enables you to rotate a work tool 360 degrees and tilt 45 degrees in each direction, with top of the class precision and controllability.
3. Open-S standard connection system
4. Two types of tilt rotator control systems. Quantum is an advanced control system where ergonomics, easy installation and fuel efficiency, remote support and automatic tool recognition are important parts of the system. The four-hose proportional machine control is the more basic system.
5. Gripper cassette (option) will make your excavator even more flexible, handling objects with precision. The gripper cassette can be retrofitted
6. Central lubrication (option) fits all central lubrication systems on the market.

Part No.	Name	Applicable Tonnage/ Suitable Models
STETR155F10	Tiltrotator X18 DF S60 FPL CLS HF3-155F(with installation)	SWE155F
STETR155F20	Tiltrotator X18 DF S60 FPL CLS HF3-155F(with gripper and installation)	SWE155F
STETR155F30	Tiltrotator X18 S60 S60 FPL CLS HF3-155F(with installation)	SWE155F
STETR155F40	Tiltrotator X18 S60 S60 FPL CLS HF3-155F(with gripper and installation)	SWE155F

- Specifications

Machine Interface	S60	SQ60-4	SQ60-5	DF	DF	DF
Tiltrotator Quick Coupler	S60	SQ60-4	SQ60-5	S60	SQ60-4	SQ60-5
Machine weight [lb]	26400-35200	26400-35200	26400-35200	26400-35200	26400-35200	26400-35200
Max Breakout torque [kNm]	150	150	150	150	150	150
Weight from [lb]	792	792	792	792	792	792
Building height [inch]	20.47	20.47	20.47	23	23	23
Length [inch]	28.58	28.58	28.58	30.43	30.43	30.43
Cylinder width [inch]	30	30	30	30	30	30
Max tilt angle [degrees]	±45	±45	±45	±45	±45	±45
Max width dipper arm [inch]	-	-	-	12.68	12.68	12.68
Pin diameter [inch]	-	-	-	2.36-3	2.36-3	2.36-3
Pin distance [cc-measure] [inch]	-	-	-	11.81-18.11	11.81-18.11	11.81-18.11
Pin distance [cc-measure] [mm]	-	-	-	300-460	300-460	300-460
Tilt Torque [kNm]	41	41	41	41	41	41
Rotational Torque [kNm]	7,8	7,8	7,8	7,8	7,8	7,8
Hydraulic AUX with gripper	1	1	1	1	1	1
Hydraulic AUX without gripper	2	2	2	2	2	2
Lifting hook [lb]	-	-	-	11000	11000	11000
Oil Flow [gallons/min]	25	25	25	25	25	25
Max pressure [bar]	210	210	210	210	210	210
Max Pressure Separate AUX [bar]	350	350	350	350	350	350
Safety solution	FPL	FPL	FPL	FPL	FPL	FPL

- TILTROTATOR 12-16 TONNES (STEELWRIST)



- TILTROTATOR 18-26 TONNES (STEELWRIST)**



- Features and Benefits**

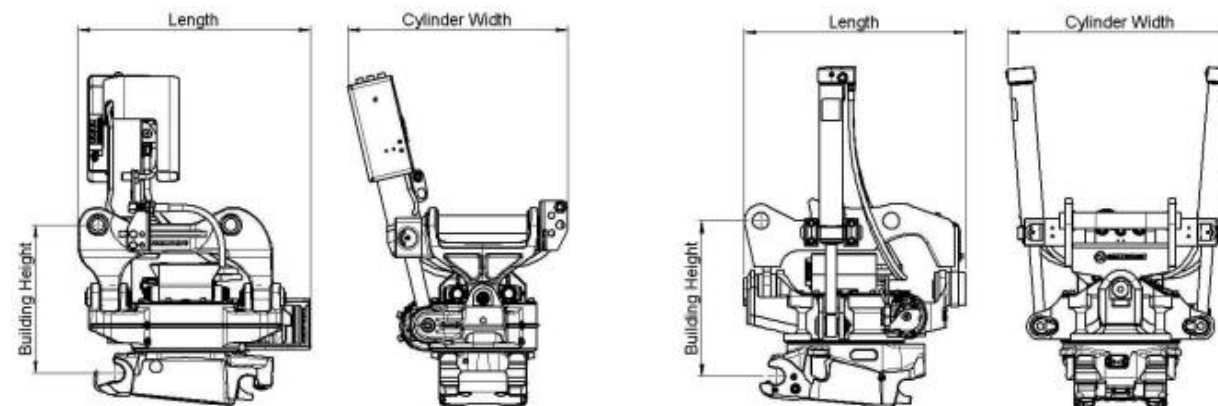
1. Designed to deliver the power and durability that is a must for excavators of this size. Tiltrotators have a low building height, high tilt angle and an unbeatable relationship between strength and weight thanks to steel cast components.
2. Enhances the efficiency of the excavator as it enables you to rotate a work tool 360 degrees and tilt 45 degrees in each direction, with top of the class precision and controllability.
3. Open-S standard connection system
4. Two types of tiltrotator control systems. Quantum is an advanced control system where ergonomics, easy installation and fuel efficiency, remote support and automatic tool recognition are important parts of the system. The four-hose proportional machine control is the more basic system.
5. Gripper cassette (option) will make your excavator even more flexible, handling objects with precision. The gripper cassette can be retrofitted
6. Central lubrication (option) fits all central lubrication systems on the market.

Part No.	Name	Applicable Tonnage/ Suitable Models
STETR215F30	Tiltrotator X26 S70 S70 FPL CLS HF3-215F(with installation)	SWE215F
STETR215F40	Tiltrotator X26 S70 S70 FPL CLS HF3-215F(with gripper and installation)	SWE215F

- Specifications

Machine Interface	S70	SQ70	SQ70-55	DF	DF	DF
Tiltrotator Quick Coupler	S70	SQ70	SQ70-55	S70	SQ70	SQ70-55
Machine weight [lb]	39600-57200	39600-57200	39600-57200	39600-57200	39600-57200	39600-57200
Max Breakout torque [kNm]	240	240	240	240	240	240
Weight from [lb]	1254	1254	1254	1254	1254	1254
Building height [inch]	24.21	24.21	24.21	25.20	25.20	21.26
Length [inch]	32.40	32.40	32.40	35	35	35
Cylinder width [inch]	33.27	33.27	33.27	34.29	34.29	34.29
Max tilt angle [degrees]	±45	±45	±45	±45	±45	±45
Max width dipper arm [inch]	-	-	-	13.78	13.78	13.78
Pin diameter [inch]	-	-	-	2.36-3.54	2.36-3.54	2.36-3.54
Pin distance [cc-measure] [inch]	-	-	-	15-19	15-19	15-19
Pin distance [cc-measure] [mm]	-	-	-	380-485	380-485	380-485
Tilt Torque [kNm]	61	61	61	61	61	61
Rotational Torque [kNm]	8,8	8,8	8,8	8,8	8,8	8,8
Hydraulic AUX with gripper	1	1	1	1	1	1
Hydraulic AUX without gripper	2	2	2	2	2	2
Lifting hook [lb]	-	-	-	17600	17600	17600
Oil Flow [gallons/min]	30	30	30	30	30	30
Max pressure [bar]	210	210	210	210	210	210
Max Pressure Separate AUX [bar]	350	350	350	350	350	350
Safety solution	FPL	FPL	FPL	FPL	FPL	FPL

- TILTROTATOR 18-26 TONNES (STEELWRIST)





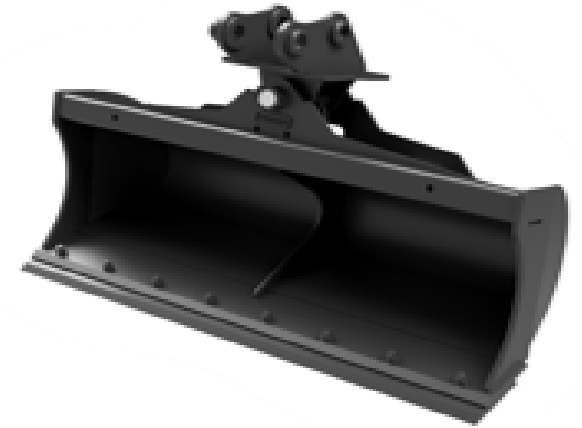
TRENCH BUCKETS



DIGGING BUCKETS



CLEANING BUCKETS



TILTING BUCKETS



S-SYSTEM BUCKETS



PACKAGES OF BUCKETS



Buckets list

Part No. Suitable Models	Name
SWE08B	
815250100000.1	Bucket-250mm-0.018m ³ SUNWARD
815255000000.2	Bucket-320mm(Standard)-0.022m ³ SUNWARD
LW08000000021	bucket-450mm-K WHITES
LW08000000022	bucket-760mm-K WHITES
815255100001.2	Bucket-800mm-0.051m ³ SUNWARD
LW08000000023	Tilting bucket-900mm WHITES
SWE17/20F/18UF	
8102550000021.2	Bucket-260mm-0.027m ³ SUNWARD
LW20000000012	230mm Bucket WHITES
8102550000015.3	Bucket-380mm(Standard)-0.04m ³ SUNWARD
LW20000000013	450mm Bucket WHITES
8102551000022.3	Bucket-1000mm-0.1m ³ SUNWARD
LW20000000014	1000mm Bucket WHITES
8102551000022.3	Sunward bucket-1000mm
7506290000094	S system bucket 250mm SUNWARD
7506290000095	S system bucket 400mm SUNWARD
7506290000096	S system bucket 1000mm SUNWARD
LW20000000040	Tilting bucket-1000mm WHITES
SWE25F/UF	
LW25000000025	bucket-300mm WHITES
8621550000004.S2	Bucket-300mm-0.04m ³ SUNWARD
LW25000000026	bucket-600mm WHITES
8621551000002.S1	Bucket-480mm(Standard)-0.065m ³ SUNWARD
8621550000001.S1	Bucket-580mm(Standard)-0.08m ³ SUNWARD
LW25000000028	bucket-900mm WHITES
8621550000003.S1	Bucket-1000mm-0.13m ³ SUNWARD
7506290000102	S system bucket 300mm SUNWARD
7506290000103	S system bucket 480mm SUNWARD
7506290000104	S system bucket 1200mm SUNWARD
LW25000000040	Tilting bucket-1200mm WHITES
SWE35UF/40UB	
8136550000002	Bucket-300mm-0.06m ³ SUNWARD
8136550000010.2	Bucket-350mm-0.06m ³ SUNWARD
LW35000000015	Bucket-450mm WHITES
8136550000001.2	Bucket-520mm(Standard)-0.11m ³ SUNWARD
LW35000000016	Bucket-600mm WHITES
8136550000005	Bucket-1200mm-0.25m ³ SUNWARD
LW35000000018	Cleaning Bucket-1200mm WHITES
7506290000105	S system bucket 350mm SUNWARD
7506290000106	S system bucket 700mm SUNWARD
7506290000107	S system bucket 1200mm SUNWARD
LW35000000040	Tilting bucket-1200mm WHITES

Part No. Suitable Models	Name
SWE60UF	
8139550000001	Bucket-300mm-0.08m ³ SUNWARD
LW60000000012	450mm bucket SWE60UF WHITES
8139550000006.3	Bucket-680mm(Standard)-0.18m ³ SUNWARD
LW60000000013	600mm bucket SWE60UF WHITES
8139550000010	Bucket-1500mm SUNWARD
LW60000000015	1500mm bucket SWE60UF WHITES
7506290000108	S system bucket 400mm SUNWARD
7506290000109	S system bucket 680mm SUNWARD
7506290000110	S system bucket 1500mm SUNWARD
LW60000000060	Tilting bucket-1500mm WHITES
SWE90UF	
8768550000000	Bucket-680mm(Standard)-0.26m ³ SUNWARD
LW90000000018	Bucket-600mm WHITES
7506290000111	S system bucket 450mm-SWE90UF SUNWARD
LW90000000032	bucket-900mm WHITES
8768550000000	Bucket-680mm(Standard)-0.26m ³ SUNWARD
7506290000112	S system bucket 700mm-SWE90UF SUNWARD
7506290000113	S system bucket 1800mm-SWE90UF SUNWARD
7506290000111	S system bucket 450mm SUNWARD
7506290000112	S system bucket 700mm SUNWARD
7506290000113	S system bucket 1800mm SUNWARD
LW90000000023	Tilting bucket-1500mm WHITES
SWE155F	
LW15500000023	SWE155F-bucket-600mm-K WHITES
LW15500000022	SWE155F-bucket-900mm-K WHITES
8772550000000	Bucket-940mm-(Standard)-0.61m ³ SUNWARD
LW15500000015	bucket-1800mm-K WHITES
LW15500000031	Tilting bucket-1850mm WHITES
SWE215F	
LW21500000018	bucket-1500mm WHITES
8363550000003	Bucket-1120mm-(Standard)-1.0m ³ SUNWARD
LW21500000022	bucket-1200mm WHITES
LW21500000015	bucket-2100mm-K WHITES
LW21500000023	Tilting bucket-2140mm WHITES

- Categories

Buckets	Application		Features
	Type	Typical material	
Trench Bucket	Loose material, light duty Soil or soil mixed with gravel\Heavy clay/small natural stone or heavy clay with gravel	Gravel and sandy loam, humus soil, planting soil and gravel sandy loam soil, construction soil, cemented block backfill, ice clay, small natural gravel	The special bucket width is designed according to the ditch width, which greatly improves the efficiency of trenching operation.
Digging Bucket	Loose material, light duty Soil or soil mixed with gravel	Gravel and sandy loam, humus soil, planting soil and gravel sandy loam soil	For mini excavators to dig the ground with medium and low hardness
Cleaning Bucket	Loose material, light duty Soil or soil mixed with grave	Gravel and sandy loam, humus soil, planting soil and gravel sandy loam soil	It is used for cleaning ditches, trimming slopes, compact ground and other finishing operations
Tilting Bucket	Loose material, light duty Soil or soil mixed with grave	Gravel and sandy loam, humus soil, planting soil and gravel sandy loam soil	The special bucket floor design is more suitable for land compaction

- **Buckets Selection**
- **Considerations in Buckets Selection**
- 1. Digging applications: Excavators, compared with other machines like wheel and track loaders, can provide more effective bucket breaking force to dig. Choose the bucket that can penetrate into the soil with greater breakout force for maximum digging efficiency
- 2. Loading applications: with the largest recommended bucket size for the machine type i.e., big width and depth ratio is recommended if satisfying digging needs to achieve maximize
- 3. Wear conditions: For hard rock, the tip radius should be taken into consideration when choosing a bucket. Short tip radius provides greater bucket dig forces than long radius which can improve the load ability of the bucket. A simple rule is narrow bucket with short tip radius for hard material. A simple rule is narrow bucket with short tip radius for hard material.
- 4. Other factors: Strength of bucket will differ with bucket width. The narrow buckets provide higher structural strength and more breakout force than the wide buckets. According to this rule, wide buckets should be selected for loading loose material in high production. Narrow buckets should be used in excavating hard material for smooth operation. If digging is required, but also loading, a moderate bucket should be selected. As a rule, larger buckets are impossible to use for hard soil, while smaller buckets yield less at loading loose material. The correct bucket should be selected to match soil conditions. Other factors include trench width requirement, section size or bottom material to be reserved could affect the selection of the buckets.
- 5. Selection of buckets has no definite criteria, but the bucket can be chosen on theory basis. Due to the diversity of the operating conditions, bucket cannot be adaptive to every working condition.

- TRENCH BUCKETS**

- Benefits**

1. Manufactured to OEM standards
2. Great for improving the efficiency of trenching operation.



Parts No.	Name-Model-Capacity	Steel model	Weight-Kg	Machine model
815250100000.1	Bucket-250mm-0.018m³ SUNWARD	Q345B-7.85t/m3	20	SWE08B
815255000000.2	Bucket-320mm(Standard)-0.022m³ SUNWARD	Q345B-7.85t/m3	25	SWE08B
810255000021.2	Bucket-260mm-0.027m³ SUNWARD	Q345B-7.85t/m3	33	SWE17/20F/18UF
LW2000000012	230mm Bucket WHITES			SWE17/20F/18UF
LW2500000025	bucket-300mm WHITES			SWE25UF/25F
862155000004.S2	Bucket-300mm-0.04m³ SUNWARD	Q345B-7.85t/m3	53	SWE25UF/25F
813655000002	Bucket-300mm-0.06m³ SUNWARD	Q345B-7.85t/m3	63	SWE35UF/40UB
813655000010.2	Bucket-350mm-0.06m³ SUNWARD	Q345B-7.85t/m3	70	SWE35UF/40UB
LW3500000015	Bucket-450mm WHITES			SWE35UF/40UB
813955000001	Bucket-300mm-0.08m³ SUNWARD	16MN-7.85t/m3	84	SWE60UF
LW6000000012	450mm bucket SWE60UF WHITES			SWE60UF
876855000000	Bucket-680mm(Standard)-0.26m³ SUNWARD	Q345B-7.85t/m3	208	SWE90UF
LW9000000018	Bucket-600mm WHITES			SWE90UF
750629000111	S system bucket 450mm-SWE90UF SUNWARD			SWE90UF
LW1550000023	SWE155F-bucket-600mm-K WHITES			SWE155F
LW2150000018	bucket-1500mm WHITES			SWE215F
836355000003	Bucket-1120mm-(Standard)-1.0m³ SUNWARD	Q345B-7.85t/m3	857	SWE215F

- DIGGING BUCKETS**



Parts No.	Name-Model-Capacity	Steel model	Weight-Kg	Machine model
LW0800000021	bucket-450mm-K WHITES			SWE08B
810255000015.3	Bucket-380mm(Standard)-0.04m³ SUNWARD	Q345B-7.85t/m3	45	SWE17/20F/18UF
LW2000000013	450mm Bucket WHITES			SWE17/20F/18UF
LW2500000026	bucket-600mm WHITES			SWE25UF/25F
862155100002.S1	Bucket-480mm(Standard)-0.065m³ SUNWARD	Q345B-7.85t/m3	60	SWE25UF/25F
862155000001.S1	Bucket-580mm(Standard)-0.08m³ SUNWARD	Q345B-7.85t/m3	61	SWE25UF/25F
813655000001.2	Bucket-520mm(Standard)-0.11m³ SUNWARD	Q345B-7.85t/m3	78	SWE35UF/40UB
LW3500000016	Bucket-600mm WHITES			SWE35UF/40UB
813955000006.3	Bucket-680mm(Standard)-0.18m³ SUNWARD	16MN-7.85t/m3	127	SWE60UF
LW6000000013	600mm bucket SWE60UF WHITES			SWE60UF
LW9000000032	bucket-900mm WHITES			SWE90UF
876855000000	Bucket-680mm(Standard)-0.26m³ SUNWARD	Q345B-7.85t/m3	208	SWE90UF
750629000112	S system bucket 700mm-SWE90UF SUNWARD			SWE90UF
LW1550000022	SWE155F-bucket-900mm-K WHITES			SWE155F
877255000000	Bucket-940mm-(Standard)-0.61m³ SUNWARD	Q345B-7.85t/m3	515	SWE155F
836355000003	Bucket-1120mm-(Standard)-1.0m³ SUNWARD	Q345B-7.85t/m3	857	SWE215F
LW2150000022	bucket-1200mm WHITES			SWE215F

- Benefits**

1. Manufactured to OEM standards
2. Heat treated beveled cutting edge
3. Bucket transport hooks
4. 2-piece side panel construction – thicker leading edge
5. Optional digging teeth / bolt on toe plate
6. Horizontal wear strips
7. Double radius heel designs maximize machine schematics

- CLEANING BUCKETS**

Parts No.	Name-Model-Capacity	Steel model	Weight-Kg	Machine model
LW0800000022	bucket-760mm-K WHITES			SWE08B
815255100001.2	Bucket-800mm-0.051m ³ SUNWARD	Q345B-7.85t/m3	42	SWE08B
810255100022.3	Bucket-1000mm-0.1m ³ SUNWARD	Q235B-7.85t/m3	62	SWE17/20F/18UF
LW2000000014	1000mm Bucket WHITES			SWE17/20F/18UF
LW2500000028	bucket-900mm WHITES			SWE25UF/25F
862155000003.S1	Bucket-1000mm-0.13m ³ SUNWARD	Q345B-7.85t/m3	95	SWE25UF/25F
813655000005	Bucket-1200mm-0.25m ³ SUNWARD	Q345B-7.85t/m3	125	SWE35UF/40UB
LW3500000018	Cleaning Bucket-1200mm WHITES			SWE35UF/40UB
813955000010	Bucket-1500mm SUNWARD	16MN-7.85t/m3	176	SWE60UF
LW6000000015	1500mm bucket SWE60UF WHITES			SWE60UF
750629000113	S system bucket 1800mm-SWE90UF SUNWARD			SWE90UF
LW1550000015	bucket-1800mm-K WHITES			SWE155F
LW2150000015	bucket-2100mm-K WHITES			SWE215F

- Benefits**

1. Manufactured to OEM standards
2. Solid sides suitable for pea gravel



- **HYDRAULIC TILTING BUCKET (WHITES)**



- **Benefits**

1. 45° rotation left and right
2. Large hydraulic cylinders provide smooth operation
3. Hardened bushes in main pivot
4. Check valve to stop hydraulic creeping
5. Hoses to bulkhead provided
6. Bolt on reversible toe plate on 1.5 tonne + models

Part No.	Name	Applicable Tonnage/ Suitable Models
LW0800000023	Tilting bucket-900mm	SWE08B
LW2000000040	Tilting bucket-1000mm	SWE20F
LW3500000040	Tilting bucket-1200mm	SWE35UF
LW6000000060	Tilting bucket-1500mm	SWE60UF
LW9000000023	Tilting bucket-1500mm	SWE90UF
LW1550000031	Tilting bucket-1850mm	SWE155F
LW2150000023	Tilting bucket-2140mm	SWE215F
LW2500000040	Tilting bucket-1200mm	SWE25UF

- PACKAGES OF BUCKETS (TRENCH+DIGGING+CLEANING)**

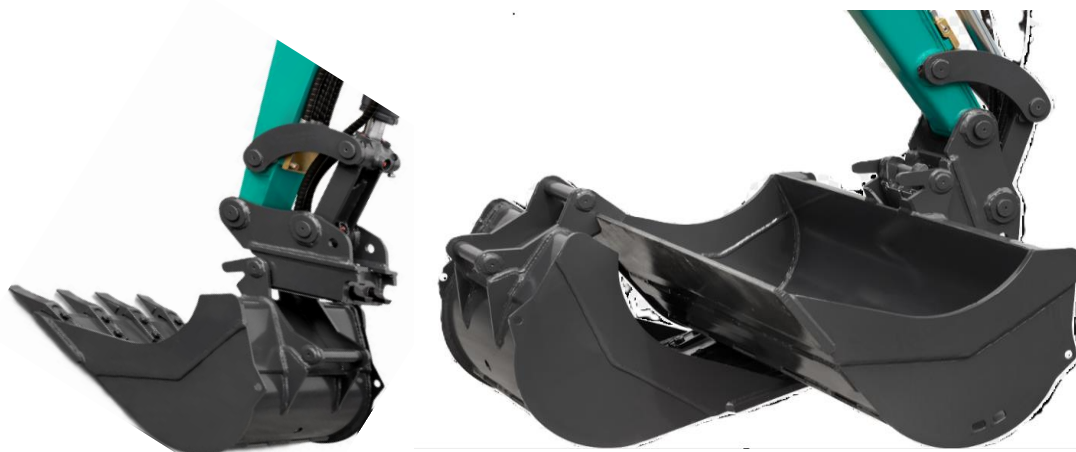
- Benefits**

- Complete pack “Quick hitch and 3 buckets”

Parts No.	Name and contents of the package	Sizes of the buck	Machine model
MQBWS0800000	WHITES-Q/H (Mech.) +2 WHITES buckets + 1 SUNWARD bucket	320/450/760mm	SWE08B
MQBSW0800000	Sunward-Q/H (Mech.) + 3 SUNWARD Bucket	250/320/800mm	SWE08B
MQBSW20F0000	SUNWARD-Q/H (Mech.) + SUNWARD 3 buckets package	260/380/1000mm	SWE17/20F/18UF
MQBWS20F0001	WHITES-Q/H (Mech.) + WHITES 3 buckets package	300/450/1000mm	SWE17/20F/18UF
MQBWS25F0001	WHITES-Q/H (Mech) +3 WHITES buckets package	300/600/900	SWE25UF/25F
HQBWS25F0000	WHITES-Q/H (Hydraulic) +3 SUNWARD buckets package	300/600/1000mm	SWE25UF/25F
MQBWS35UF000	WHITES-Q/H (Mech) +3 sunward buckets package	350/520/1200mm	SWE35UF/40UB
MQBWS35UF001	WHITES-Q/H (Mech) +3 WHITES buckets package	450/600/1200	SWE35UF/40UB
MQBWS60UF000	WHITES-Q/H (Mech) + 3 SUNWARD buckets package	300/680/1500mm	SWE60UF
HQBWS60UF001	WHITES-Q/H (Hydraulic) + 3 WHITES buckets package	680/600/1500	SWE60UF
MQBWS90UF001	WHITES-Q/H (Mech) +3 WHITES buckets package	600/900/1500 mm	SWE90UF
HQBWS90UF00	SUNWARD-hydraulic QH(S50- system) + SUNWARD 3 buckets pack	450/700/1800mm	SWE90UF
HQBWS155F000	WHITES-Q/H (Hydraulic) +3 WHITES buckets package	600/900/1800mm	SWE155F
HQBWS215F001	WHITES-Q/H-Hyr+3 WHITES buckets package	1200/1500/2100	SWE215F



• S-SYSTEM BUCKET



• Benefits

1. “S-System”, popular in almost all European countries
2. A robust and reliable hitch hoses and thermoplastic hose guards
3. CE certified system, fully compliant with European norms
4. Improved bucket closing angle compared to previous generation
5. Buckets with bolt-on teeth
6. Complete pack “hydraulic Quick hitch and 3 buckets”

Part No.	Name	Applicable Tonnage/ Suitable Models
750629000094	S system bucket 250mm	SWE18UF/20F
750629000095	S system bucket 400mm	SWE18UF/20F
750629000096	S system bucket 1000mm	SWE18UF/20F
750629000102	S system bucket 300mm	SWE25UF/25F
750629000103	S system bucket 480mm	SWE25UF/25F
750629000104	S system bucket 1200mm	SWE25UF/25F
750629000105	S system bucket 350mm	SWE35UF
750629000106	S system bucket 700mm	SWE35UF
750629000107	S system bucket 1200mm	SWE35UF
750629000108	S system bucket 400mm	SWE60UF
750629000109	S system bucket 680mm	SWE60UF
750629000110	S system bucket 1500mm	SWE60UF
750629000111	S system bucket 450mm	SWE90UF
750629000112	S system bucket 700mm	SWE90UF
750629000113	S system bucket 1800mm	SWE90UF

Part No.	Name	Applicable Tonnage/ Suitable Models
HQBSWS20F000	SUNWARD-hydraulic QH(S30 system) + SUNWARD 3 buckets package 250/400/1000mm	SWE18UF/20F
HQBSWS25F000	SUNWARD-hydraulic QH(S30 system) + SUNWARD 3 buckets package 300/600/1200mm	SWE25UF/25F
HQBSWS35UF00	SUNWARD-hydraulic QH(S40 system) + SUNWARD 3 buckets package 350/700/1400mm	SWE35UF
HQBSWS60UF00	SUNWARD-hydraulic QH(S40 system) + SUNWARD 3 buckets package 400/800/1600mm	SWE60UF
HQBSWS90UF00	SUNWARD-hydraulic QH(S50 system) + SUNWARD 3 buckets package 500/900/1800mm	SWE90UF

SUNWARD

THANK YOU

